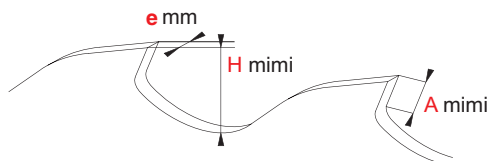


ECRASAGE

SWAGER - STAUCHEN
EL CHAFADO - SCHIACCIATURA



APPAREILS A ECRASER MANUELS

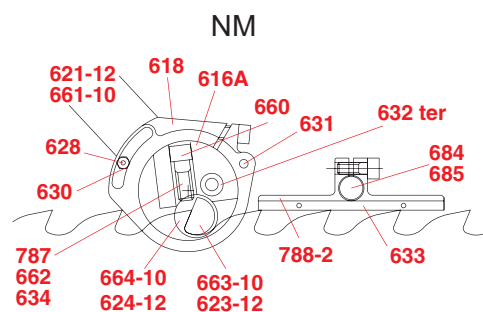
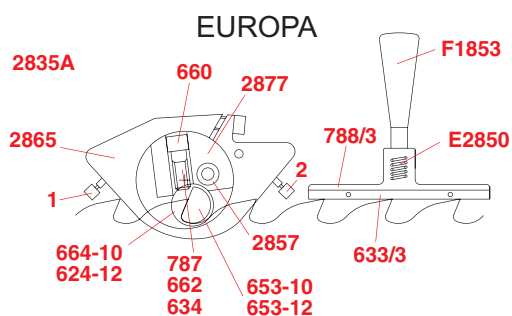
Manual swager device - Stauchapparat manuell - Aparato manual para chafar - Apparechio per schiacciare manuale

REF	D mm	H mm	A mm	e mm	UT	UC	CODE
NM1	10	9	7	0,8-1,47	1	1	ECRA0006
NM2	12	12	8.5	0,8-1,47	1	1	ECRA0007
EUROPA1	10	9	7	1,0-2,41	1	1	ECRA0002
EUROPA2	12	12	8.5	1,0-2,41	1	1	ECRA0003

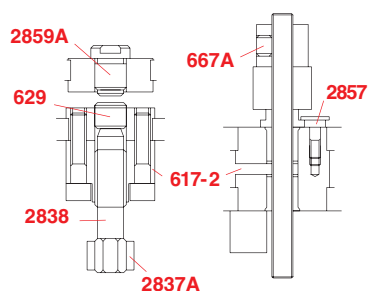
APPAREILS A ECRASER PNEUMATIQUES

Pneumatic swager device - Stauchapparat pneumatisch
Aparato para chafar neumático - Apparechio per schiacciare pneumatico

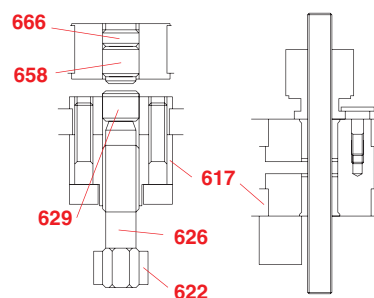
REF	D mm	H mm	A mm	e mm	UT	UC	CODE
NMP1	10	9	7	0,8-1,47	1	1	ECRA0008
NMP2	12	12	8.5	0,8-1,47	1	1	ECRA0009
EUROPA P1	10	9	7	1,0-2,41	1	1	ECRA0004
EUROPA P2	12	12	8.5	1,0-2,41	1	1	ECRA0005



DETAIL EUROPA



DETAIL NM

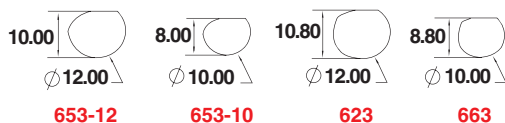


PIECES DETACHEES APPAREILS A ECRASER

Swager spare parts - Ersatzteile Stauchapparat

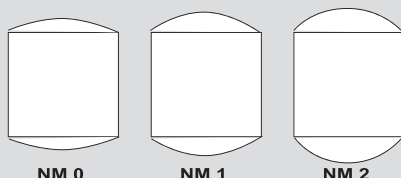
Piezas de recambio del aparato para chafar - Pezzi di ricambio per apparecchio per schiacciare

EXCENTRIQUES



REF MACHINE	REF	D mm	UT	UC	CODE
NM1 NMP1	663	10	1	1	ECRA0036
EUROPA 1	0653-10	10	1	1	ECRA0031
NM2-NMP2	623	12	1	1	ECRA0037
EUROPA 2	0653-12	12	1	1	ECRA0032

ENCLUMES



NM1-NM2-E1-E2	787-00	00	1	1	ECRA0147
NM1-NM2-E1-E2	787-0	0	1	1	ECRA0033
NM1-NM2-E1-E2	662-1	1	1	1	ECRA0034
NM1-NM2-E1-E2	634-2	2	1	1	ECRA0035

JEUX DE CHEMISES

NM1-NMP1-EUROPA1	664	10	1	1	ECRA0015
NM2-NMP2-EUROPA2	624	12	1	1	ECRA0016

PISTON

NM1-NM2-E1-E2	629		1	1	ECRA0012
---------------	-----	--	---	---	----------

VIS DE SERRAGE

NM1-NM2	658		1	1	ECRA0013
NMP-EUROPA 1-2	2859-A		1	1	ECRA0011

VIS DE REGLAGE D'ENCLUME

NM	660		1	1	ECRA0014
----	-----	--	---	---	----------

CLAVETTE DE POSITION + ECROU

NM1-NM2	625		1	1	ECRA0038
---------	-----	--	---	---	----------

BLOC-CORPS

NM4 - NMP4	0287		1	1	ECRA0112
NMP3	00616-1B		1	1	ECRA0073
NM1-NM2-NMP1-NMP2	616-17		1	1	ECRA0111

VIS DE RETENU

NM-EUROPA	632-TER		1	1	ECRA0068
NMP-EUROPA	2857		1	1	ECRA0069

TOURILLON

EUROPA	00617-2D		1	1	ECRA0074
--------	----------	--	---	---	----------

CONTRE VIS

NM	666		1	1	ECRA0017
----	-----	--	---	---	----------

TUBE PATE A ECRASER
SWAGING COMPOUND
STAUCH-PASTE
PASTA PARA CHAFAR
PASTA PER SCHIACCIARE



100 gr ECRA0001

VIS DE BLOCAGE

NM1-NM2-NMP	667		1	1	ECRA0098
E1-E2-EP1-EP2	667A		1	1	ECRA0123

BUTEE

NM1-NM2-NMP-628	628		1	1	ECRA0108
-----------------	-----	--	---	---	----------

ECROU DE BUTEE

NM1-N;2-N;P	0630A		1	1	ECRA0110
-------------	-------	--	---	---	----------

CHAPE

NM1-NM2-NMP	2839		1	1	ECRA0175
NMP1-NMP2	2840		1	1	ECRA0176

GUIDE

NM1-N;2	788-2		1	1	ECRA0116
---------	-------	--	---	---	----------

TOURILLON

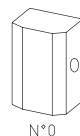
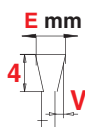
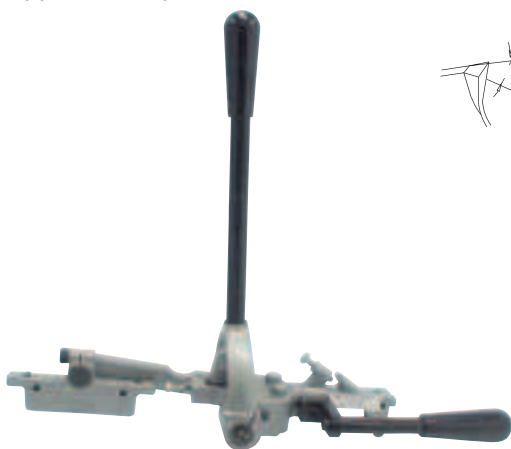
E1-E2-EP1-EP2	617-2+2838		1	1	ECRA0126
---------------	------------	--	---	---	----------

ECRASAGE

SWAGER - STAUCHEN
EL CHAFADO - SCHIACCIATURA

APPAREILS A RECTIFIER MANUEL

Manual side dressing device - Egalisierapparate manuell - Aparato manual para rectificar manual
Apparecchio per rettificare manuale



REF	V mm	e mm	UT	UC	CODE
RM0	0,07-0,6	0,8-1,47	1	1	RECT0006
RM1	0,07-0,74	0,8-1,47	1	1	RECT0003
RM2	0,35-0,81	0,8-1,47	1	1	RECT0004
RMS-0	0,07-0,6	0,8-2,41	1	1	RECT0007
RMS-1	0,07-0,74	0,8-2,41	1	1	RECT0005
RMS-2	0,35-0,81	0,8-2,41	1	1	RECT0008
RMS-3	0,45-0,92	0,8-2,41	1	1	RECT0009

PIECES DETACHEES APPAREIL A RECTIFIER

Side dresser spare part - Ersatzteile Egalisierapparat
Recambios para aparatos de rectificacion - Ricambi per apparecchio per rettificare

	REF	TYPE	UT	UC	CODE
AXE PORTE G	925-A	RM-RMS	1	1	ECRA0127
CORPS NUS	931	RM	1	1	ECRA0128
	931-3	RMS	1	1	ECRA0129
BUTEES OSCILLANTES	936	RM	1	1	ECRA0024
	936-3	RMS	1	1	ECRA0025
ENTRETOISE	2866	RMS	1	1	ECRA0130
JEUX DE GRAIN	938-0	RM-RMS	1	1	ECRA0026
	938-1	RM-RMS	1	1	ECRA0027
	938-2	RM-RMS	1	1	ECRA0028
	938-3	RM-RMS	1	1	ECRA0029
LEVIERS A FOURCHE	934	RM	1	1	ECRA0131
	2867-2A	RMS	1	1	ECRA0132
POIGNÉES	924	RM	1	1	ECRA0133
	924-1A	RMS	1	1	ECRA0134
AXE	924-2A	RMS	1	1	ECRA0135
PORTE GRAIN	939	RM-RMS	1	1	ECRA0030
REGLETTE	2868	RM-RMS	1	1	ECRA0136
REGLETTE	633	RM-RMS	1	1	ECRA0081
RESSORT PLAT	E929	RM-RMS	1	1	ECRA0137
VIS DROITES	926	RM	1	1	ECRA0138
	926-3	RMS	1	1	ECRA0139
VIS GAUCHES	927	RM	1	1	ECRA0140
	927-3	RMS	1	1	ECRA0141

