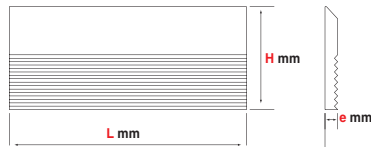


PORTE-OUTILS FERS CRANTES

PLANING HEAD - PRÄZISIONS-HOBELMESSERKOPF
PORTACUCHILLAS PARA CEPILLAR - TESTE A PIALLARE

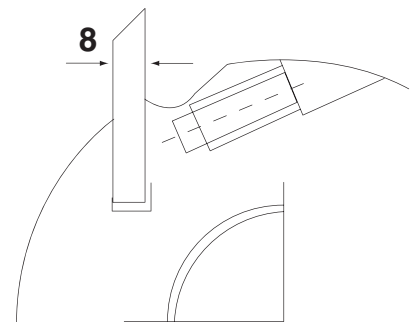
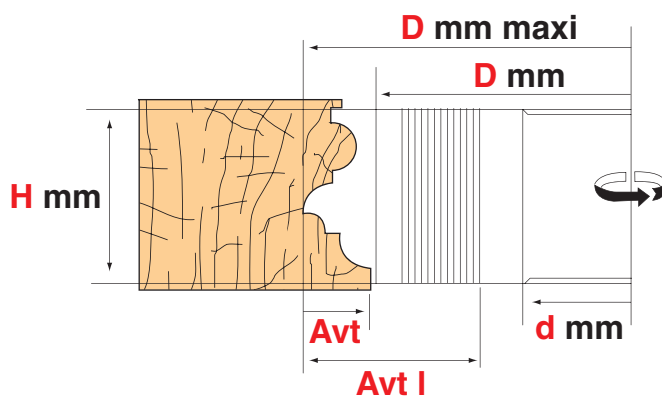
PORTE-OUTILS RABOTAGE ET MOULURAGE

Planing and profil cutter heads with serrated back - Hobel und Profilmesserkopf
Cabezal para cepillar y moldurar - Teste a piallare e modellare



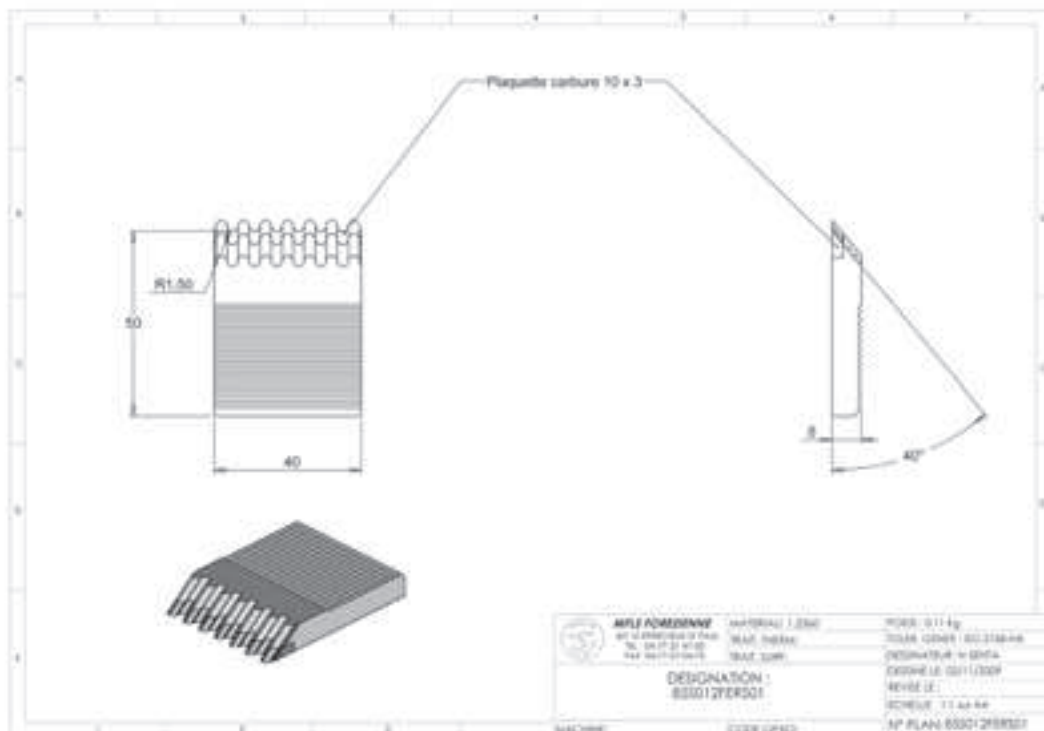
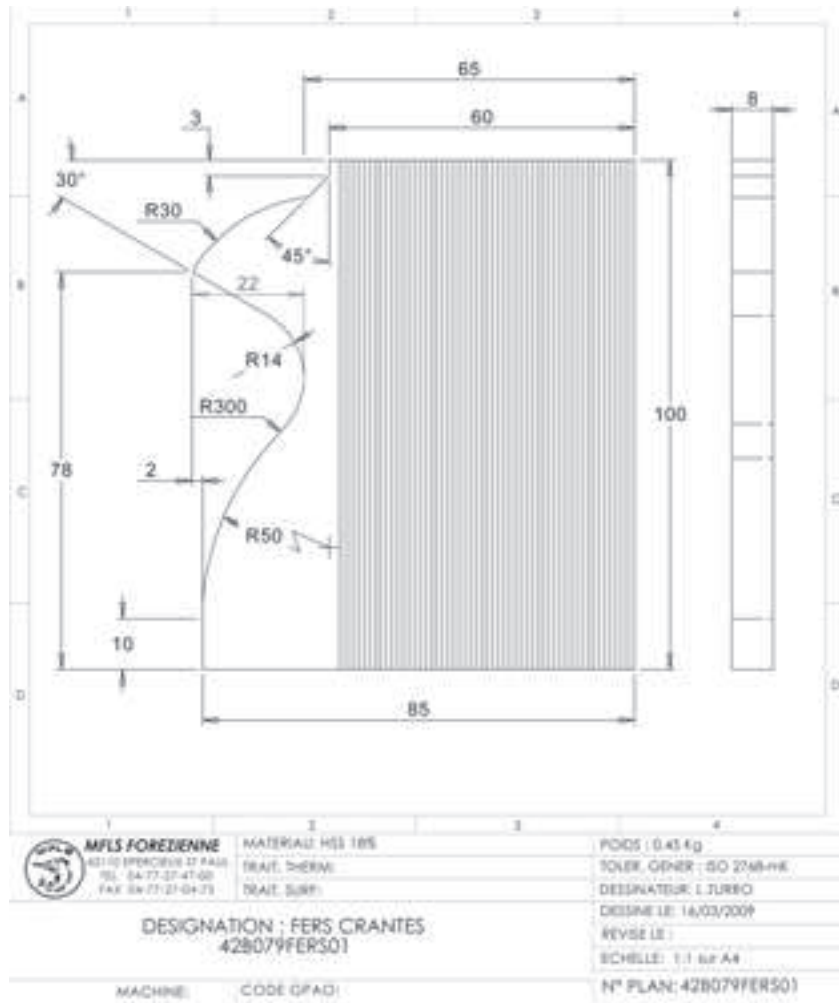
L mm	H mm	Avt
40	8	8
50	8	12
60	8	20
70	8	30

D mm	H mm	d mm	Z	Code
120	100	50	2	FRAI0635
122	40	40	4	FRAI0076
122	60	40	4	FRAI0077
122	80	40	4	FRAI0078
122	100	40	4	FRAI0079
122	150	40	4	FRAI0080
122	180	40	4	FRAI0081
122	230	40	4	FRAI0082
137	40	50	4	FRAI0402
137	60	50	4	FRAI0403
137	80	50	4	FRAI0404
137	100	50	4	FRAI0405
137	150	50	4	FRAI0406
137	180	50	4	FRAI0407
137	230	50	4	FRAI0408



PORTE-OUTILS FERS CRANTES

PLANING HEAD - PRÄZISIONS-HOBELMESSERKOPF
PORTACUCHILLAS PARA CEPILLAR - TESTE A PIALLARE



Profilage fers crantés HSS + HM sur demande.